

# Compost turner **CMC ST 230**



The new **CMC ST 230** offers high performance with compact design. The machine creates perfect mixing and ventilation results for tractors of minimum 30 hp. With a net tunnel opening of 2.3 m the machine can turn compost windrows up to a width of 2.6 m. Built on a trailer, in the proven system, the machine

offers all the advantages of its bigger brother such as the side-pull stabilisation, quick coupling and decoupling and it is easily transportable.

**The CMC ST 230 corresponds to the strict criteria of Controlled Microbial Composting.**



# Compost turner

# CMC ST 230

## Technical data

Maximum width: 2.70 m  
Maximum height: 1.25 m

Rotor length: 2.30 m

Transport height: 3.55 m

Transport weight: ~ 1.40 t  
incl. counter weight: ~ 3.40 t

PTO: Bondioli

Tyres: Standard: 12.5/80-15.3  
Optional: 400/60-15.5

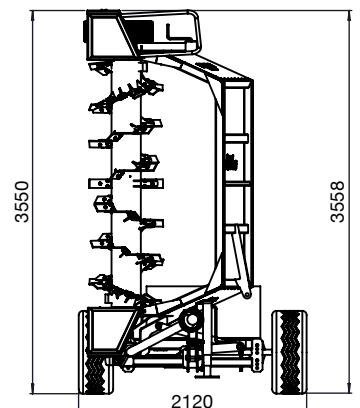
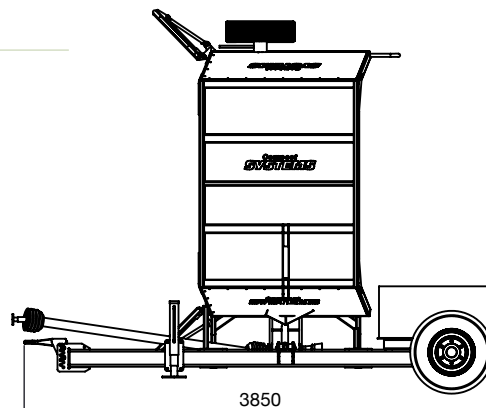
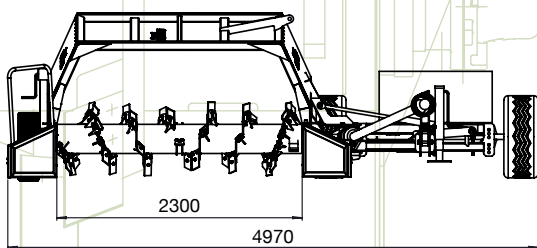
Color: Grey / Blue

Tractor power: from 30 hp  
Turning quantity: up to 600 m<sup>3</sup>/h

Working speed: 100 - 750 m/h (depending on  
windrow size, density, process progress)

### Options:

- Hydraulic pusher axle
- Hydraulic front shovels
- Hydraulic rotor drive
- Stainless steel rotor tunnel
- Inoculation system
- Special colours
- Irrigation boom
- 1,000 l Irrigation-Inoculation combi
- Lighting system 12 V
- Brake system
- Towing hitch above PTO
- Fleece roller



All information is subject to change without notice. Printing errors reserved.