

Compost turner **CMC ST 200**



To satisfy the need in the industry, for an affordable, compact and yet, performing entry model, Compost Systems has redesigned the **CMC ST 200 model**. More than 30 years of experience of manufacturing but also practical use, have created a flexible product that now is available as a Plug and Play solution, but

also as a finish yourself kit. In this version, the supply volume contains all the components and a broad, detailed instruction to mount the machine yourself.

The CMC ST 200 corresponds to the strict criteria of Controlled Microbial Composting.



Compost turner CMC ST 200

Technical data

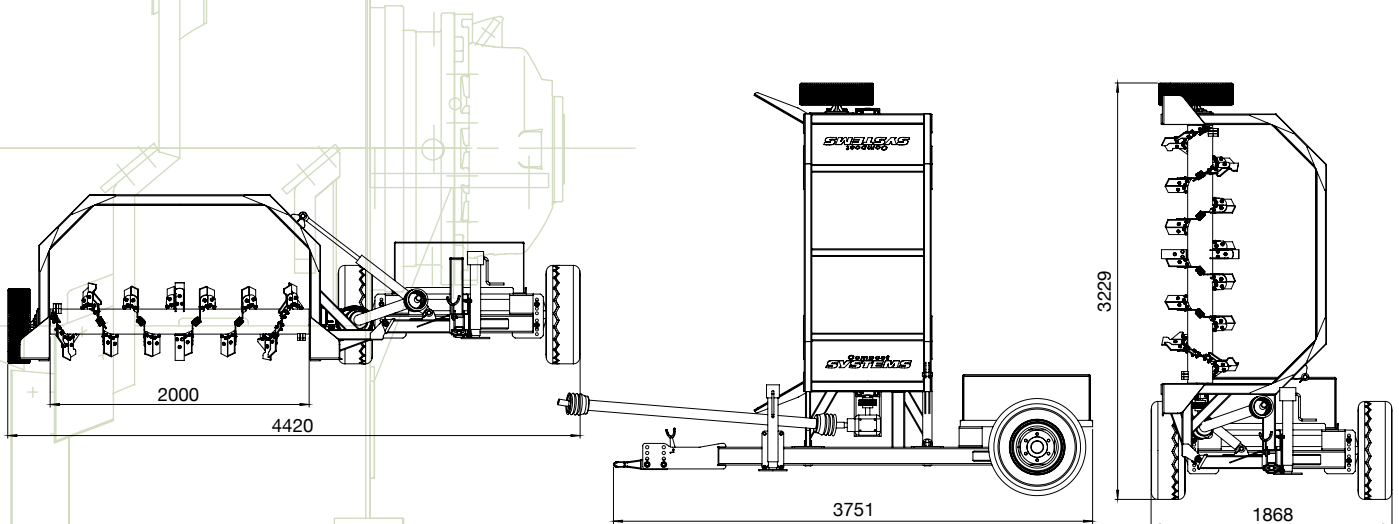
Maximum width:	2,20 m
Maximum height:	1,20 m
Rotor length:	2,00 m
Transport height:	3,23 m
Transport weight:	~ 0,85 t
incl. counter weight:	~ 1,85 t
PTO:	Bondioli
Tyres:	10.5/80-15.3
Tractor power:	from 15 hp Super-creeper-gear or hydrostatic transmission 1 dual hydraulic connection
Turning quantity:	~ 400 m ³ /h
Working speed:	100 - 750 m/h (depending on windrow size, density, process progress)

Also available
as a kit!



Optionen:

- Wheel loader connected version
- Hydraulic driving system
- Stainless steel rotor tunnel
- Special colors
- Irrigation boom
- 1,000 l irrigation/innoculation combination
- Lighting system 12 volt



All information is subject to change without notice. Printing errors reserved.